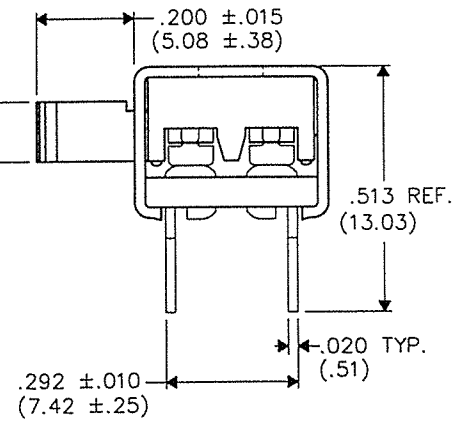
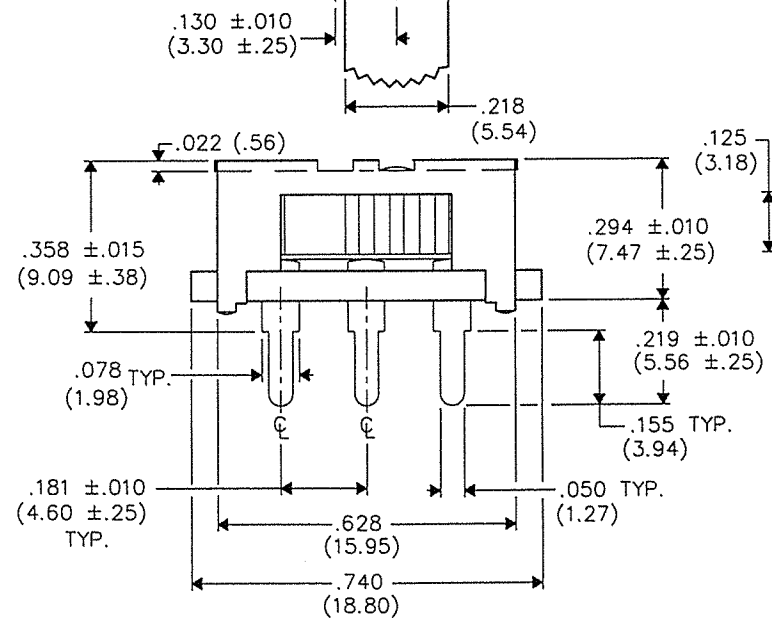
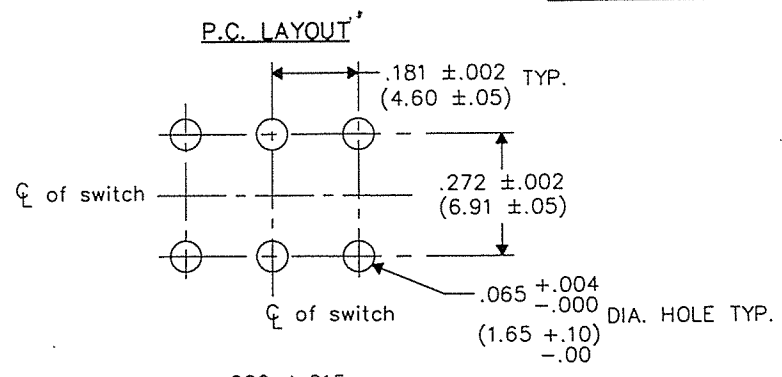
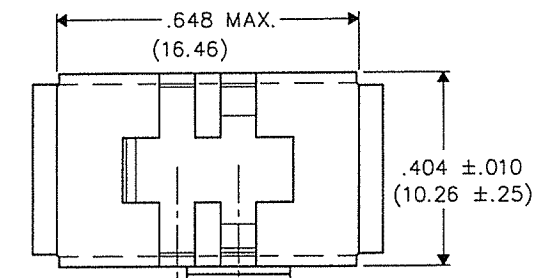


DIMENSIONS IN INCHES (MILLIMETERS)  
DO NOT SCALE DRAWING .....

Dwg. No.  
**GI-152-0009**

E  
D  
C  
B  
A



1 2 3 4 5 6 7 8 9 10

FORM-B4  
**REVISIONS**  
0  
RELEASED:  
DGW 1-19-2001  
JAN 30 2001

**ATTENTION**  
THIS DRAWING AND ITS ATTACHMENTS, IF ANY, ARE PROPRIETARY TO CW INDUSTRIES AND DESCRIBE DESIGNS THAT ARE CONFIDENTIAL AND MUST NOT BE DISCLOSED UNLESS AUTHORIZED, IN WRITING, BY AN OFFICER OF CW INDUSTRIES.....

**CW INDUSTRIES**  
Southampton, Pa. 18966  
TOLERANCES UNLESS OTHERWISE SPECIFIED  
2 Place Decimal ±.010 METRIC  
3 Place Decimal ±.005 1 Place Dec. ±.25mm  
Angles ..... ±1° 2 Place Dec. ±.13mm  
Made for: CW IND.  
Drawn by: DGW 1-19-2001  
Checked by: G. Gold 1-29-01  
Approval: J. P. ... 1-30-01

Title: **SWIDGET ASSEMBLY D.P.- D.T. SYDEWYNDER**  
Division: **SWITCH**  
Dwg. No. **GI-152-0009**

*MAS*